

IL CARRETTINO DEI GELATI



Ice-cream trolley at ventilated refrigeration

THE TRIUMPH OF ICE-CREAM TRADITIONAL IMAGINE

Il Carrettino dei Gelati reminds the time when ice-cream vendor arrived with his magic ice-cream trolley and to children was immediately a party.

Today that image of the old tradition makes elders and children to savour again the true ice-cream, boosting sales.



- Refrigerant R404A
- Climatic class 4 (+30 °C / 55%U.R.)
- Automatic defrost with hot gas
- Tempered straight glass
- Glass superstructure with hermetic closing
- Rear pivoting door
- Internal structure in stainless steel 18/8 AISI 304
- Internal lighting canopy
- Depth display unit giving the possibility of putting a second row of containers under the top one
- Unit display width 430 mm
- Upper canopy in synthetic tissue at high resistance
- Top for installation of whipped cream machine
- Scoop-washer with water tap
- Supporting pivot with double caster and brake

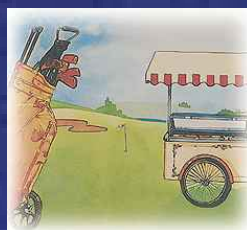
IL CARRETTINO DEI GELATI

■ QUALITY

To us quality means flexible design, perfection in the details and total reliability over the time. Such goals can be obtained only through professionalism and passion of hundreds ISA men, continuously working to increase the levels of customers' satisfaction.

■ OPTIONALS

S/S container 4,75 (260 x 157 x 170h)
S/S container 5 (360 x 165 x 120h)
Kit containers supports lt. 4,75

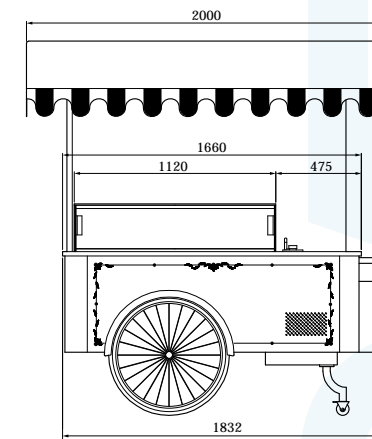
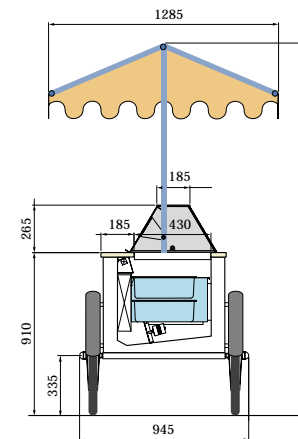


With Il Carrettino dei Gelati you can gain your clients' attention in every situation.
Only a socket is necessary to reach every kind of places for having successful image and sales.

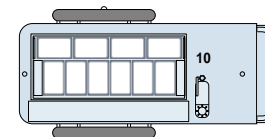
Ice-cream trolley at ventilated refrigeration



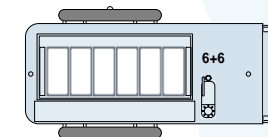
REFRIGERATION ARCHITECTURE



Containers composition



4,75 litres



5 litres

Technical features

LxDxH mm	2000X1285X2181
Product temperature °C (Cl 4 30°-55%U.R.)	-16/-14
Storage capacity nr. containers litres	6+6

Due to the quality advancement programmes and continuous scientific research ISA reserves the right to modify any technical specifications without notice.

ISA S.p.A.
Via del Lavoro, 5
06083 BASTIA UMBRA (PG) ITALY
Tel. 075-80171 - Fax 075-8000900
<http://www.isaitaly.com>

701813.C. 02 - 2/01