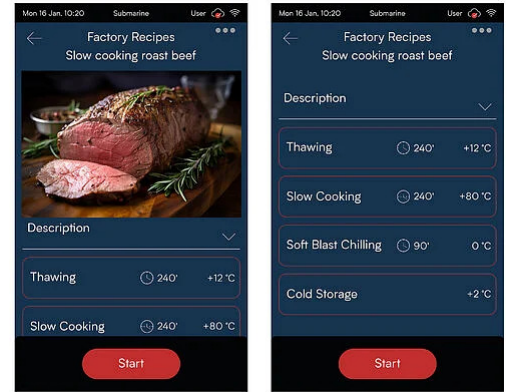


Freedom to create

Positive and negative blast chilling, thawing, proofing and retarder-proofer, pasteurization, slow cooking, maintaining the temperature, drying...are just some of the functions that can be managed immediately and precisely, individually or by connecting them in a single flow.



Model: SBM-091-HA-R290

Submarine

SUBMARINE MULTIFUNCTION, CABINET - 6 X GN 1/1 - 6 X EN1. +85 / -40 °C - AIR CONDENSING UNIT

+3°C	-40°C / -18°C	-5°C / -40°C	-2°C / +18°C	-18°C / -21°C	+10°C / +16°C	+35°C / +65°C	-18°C / +32°C	+60°C / +85°C	+10°C / +32°C
Soft or hard blast chilling	Anisakis Killer	Continuous cycle	Storage	Negative Storage	Crystallisation	Dehydration	Retarder - Proofer	Slow Cooking	Proofing

-50°C / +70°C	+60°C / +85°C	+30°C / +55°C	-18°C / +3°C	-18°C	-35°C / -18°C	+38°C / +50°C			
Maintaining	Pasteurisation	Melting Chocolate	Thawing	Soft or hard freezing	Tapeworm Killer	Yogurt	Wifi Connection	Friulinox Cold Cloud	Ecological refrigerant gas

CE CB IPX4

## CONTROL MECHANISMS

- 7" touch screen color display with control interface
- Quick-release heated core probe with 4 measuring points
- Control-activated chamber sanitisation system with active ions (HI-GIENE)
- Photo-identifiable processes
- USB connection for uploading and downloading data/recipes
- IoT connectivity as standard
- Water inlet valve.
- Alarm viewing.
- Anti-odour door lock.
- Internal fan stop by micro switch when door is opened.

## STRUCTURAL CHARACTERISTICS

- External Scotch Brite satin finish stainless steel.
- High density CFC and HCFC-free PU insulation (42 kg/m3).
- Highly ventilated evaporator to ensure the cooling system's maximum efficiency
- Stainless steel internal coating with fully rounded corners
- Die-moulded and leakproof internal base
- Anti-condensation heating element located on the box under the magnetic seal stop
- Strongbox ergonomic handle
- Magnetic seal on 4 sides of the door
- Indirect-flow electric fans - made of composite material - on the product
- Side guide-supporting uprights with 18 mm-pitch holes
- Compressor-protecting automatic-reset thermal circuit breaker
- Copper-aluminium evaporating coil, cataphoresis-painted
- Copper condensing coil with high thermal efficiency aluminium fins
- Patented chamber humidity-injecting system

## OPERATION

- Ethernet connection for HACCP Log download and remote service.
- Automatic storage at the end of the blast chilling cycle.
- Multilevel function.
- Drying.
- Cell pre-cooling.
- Automatic defrost cycles.
- Wi-Fi connection for HACCP Log download and remote service.

## CLEANING AND MAINTENANCE

- Easy to wash and hygienic safety due to the suspended evaporator coil.
- Easy to clean in accordance with UNI EN 14159 hygiene regulations.

## INSTALLATION AND ENVIRONMENT

- Quality ISO 9001 / Safety ISO 45001 / Environmental ISO 14001 certification.
- 100% recyclable packaging.

## CONDENSING UNITS

- Automatic defrost and defrost water self evaporating without the use of energy.
- R290 ecological refrigerant gas

## STANDARD EQUIPMENT

- UNEQUIPPED REMOVABLE GRILL-HOLDING PANELS IN AISI 304 18/10 STAINLESS STEEL, WITH DOUBLE L-SHAPED GUIDES
- USB CONNECTION FOR UPLOADS AND DOWNLOADS
- QUICK-RELEASE HEATED CORE PROBE WITH 4 MEASURING POINTS

**OPTIONAL TO BE REQUESTED WHEN ORDERING**

CA-091: WOODEN CRATE PACKAGING

PSX-091: LEFT HINGED DOOR

SKRT-02: WHEEL KIT WITH BRAKE

**EXTRA ACCESSORIES THAT CAN BE INSTALLED FOLLOWING PURCHASE**

TS-091-208-1N-60Hz-HR: 208-1N-60HZ-HR

### Capacity

Capacity	9 x 1/1 GN - 9 x EN1		
No. of layers - h 20	18		
Distance between layers - h 20	mm	36.5	inch 1.4
No. of layers - h 40	12		
Distance between layers - h 40	mm	54.75	inch 2.2
No. of layers - h 65	9		
Distance between layers - h 65	mm	73	inch 2.9
Minimum distance between layers	mm	18.25	inch 0.7

### Dimensions

Width	mm	790	inch	31.1
Depth	mm	870	inch	34.3
Height	mm	1460	inch	57.5
Packaging width	mm	830	inch	32.7
Packing depth	mm	970	inch	38.2
Packaging height	mm	1610	inch	63.4
Net weight	kg	150	lbs	330.8
Gross weight	kg	190	lbs	418.9
Volume	m3	0.6	ft3	21.2
Packing volume	m3	1.3	ft3	45.9
Useful Inner Width	mm	670	inch	26.4
Door height	mm	730	inch	28.7
Inner depth	mm	450	inch	17.7
PU insulation - Thickness	mm	60	inch	2.4

### Technical Data

Working temperature	°C	+85 °C / -40 °C	°F	NaN
Motor	Air-cooled condensing unit			
PU insulation - Thickness	mm	60	inch	2.4
Climate class	5			
GWP - Global Warming Potential	3			
Refrigerant - Type	R290			
Refrigerant - Quantity	g	150	g	

### Power supply

Power supply voltage	1N-AC 230 V			
Electrical absorption	A	11.29		
Frequency	Hz	50		
Total electric power	kW	2.171		
Cooling power	kW	1.345		
Heating power	kW	0.5		

### Blast chilling

Blast Chilling Capacity in 90'   +90 / +3 °C	kg	45	lbs	99.2
Freezing Capacity in 240'    +90 / -18 °C	kg	30	lbs	66.2
Blast Chilling Capacity in 120'    +65 / +10 °C - BC standard EN17032	kg	40	lbs	88.2
Freezing Capacity in 270'    +65 / -18 °C	kg	25	lbs	55.1
Blast Chilling cycle time - BC standard EN17032	min	91		
Freezing cycle time - BF standard EN17032	min	249		
Blast Chilling energy consumed - BC standard EN17032	kW h / kg	0.062		
Freezing cycle energy consumed - BF standard EN17032	kW h / kg	0.199		

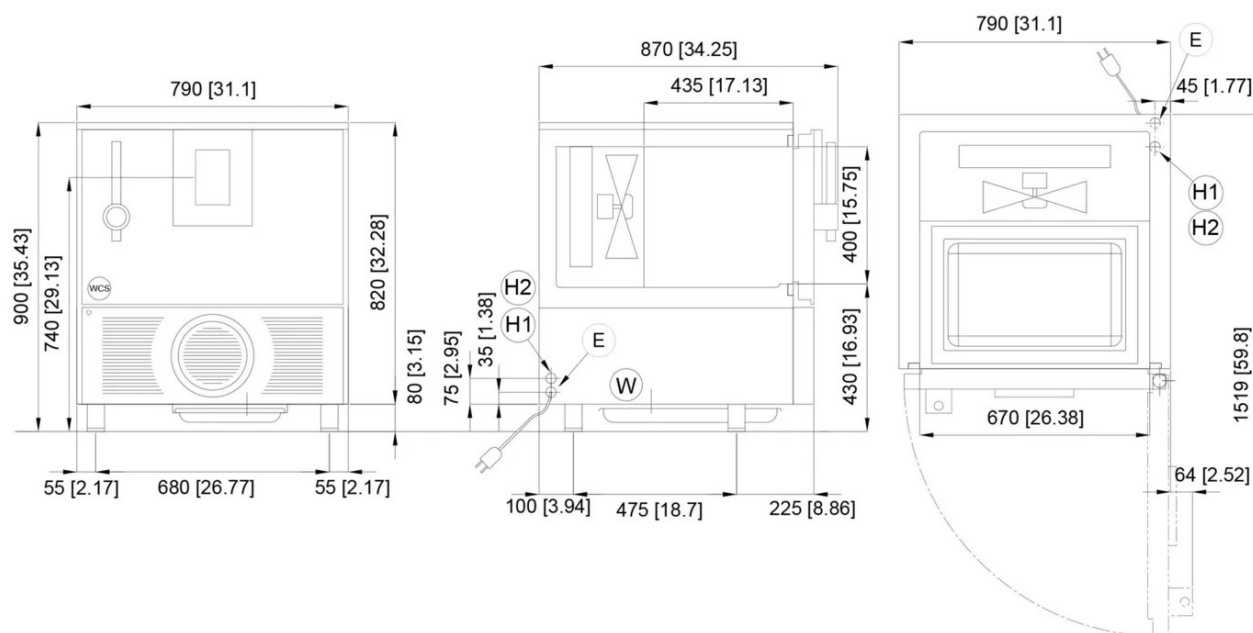
### Water Connection

Discharge - ø	mm	53	inch	2.1
---------------	----	----	------	-----

### Emissions

Noisiness	db	< 70
-----------	----	------

\* BT - Evap. temp. -25°C / Cond. temp. +45°C.



DIMENSIONI mm  
DIMENSIONS [in]

- E CONNESSIONE ELETTRICA  
ELECTRICAL CONNECTION
- W CONNESSIONE SCARICO OPZIONALE  
OPTIONAL DRAIN CONNECTION
- H1 CONNESSIONE INGRESSO H2O 1/2"  
INLET WATER CONNECTION 1/2"
- H2 CONNESSIONE USCITA H2O 1/2"  
EXHAUST WATER CONNECTION 1/2"
- WCS CONNESSIONE OPZIONALE PER DOCCETTA ESTERNA  
CONNECTION OPTIONAL FOR HAND SHOWER